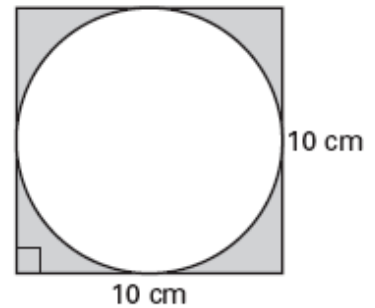
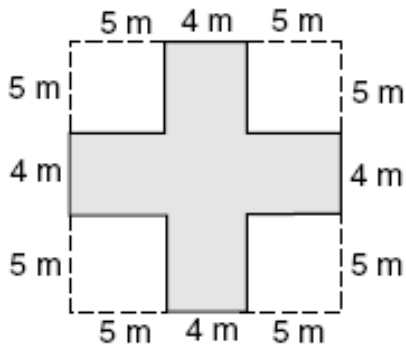
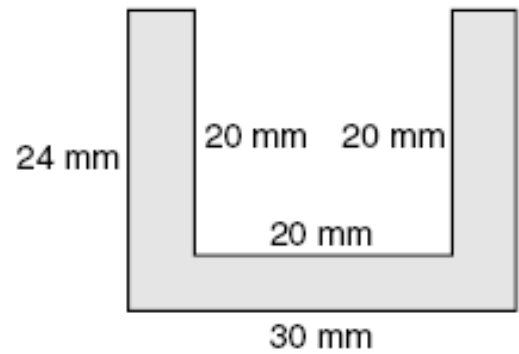
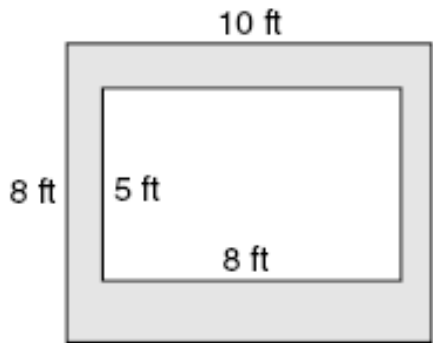
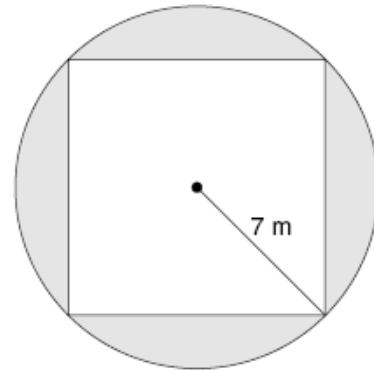
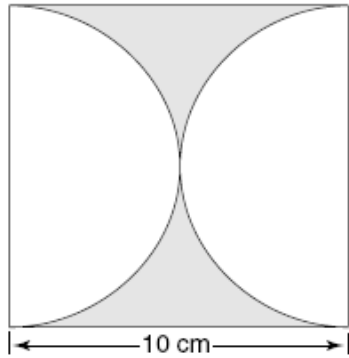


NAME _____

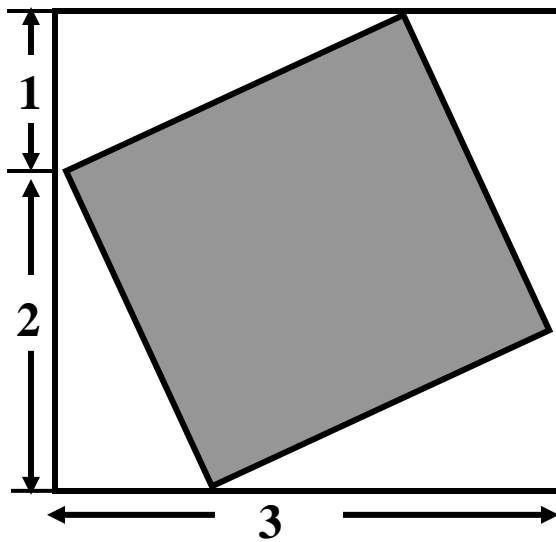
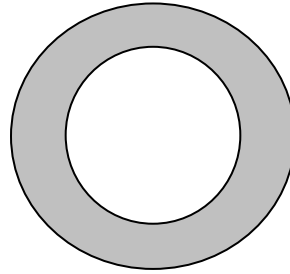
DATE _____

Area of Shaded Region Worksheet

Find the area of the shaded region in each of the following figures.



This figure consists of 2 concentric circles.
 If the shaded area is 64π sq. in.
 and the smaller circle has a
 radius of 6 in., what is the
 radius, in inches of the
 larger circle?



The shaded square
 is inscribed in the
 larger square

