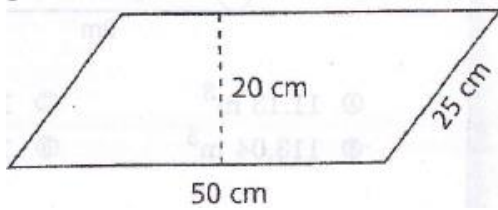


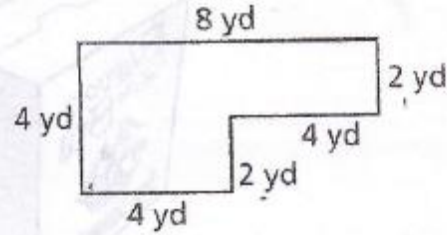
Homework Lesson #3- Measurement

1. What is the area of this parallelogram?



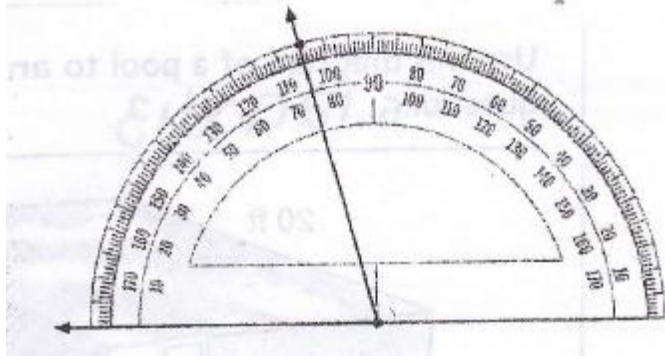
- A. 50 cm^2
- B. 500 cm^2
- C. 625 cm^2
- D. $1,000 \text{ cm}^2$

2. What is the perimeter of this figure?



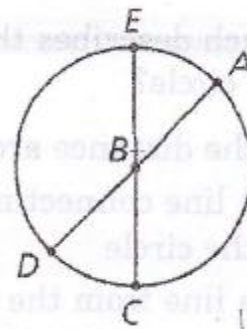
- A. 20 yards
- B. 22 yards
- C. 24 yards
- D. 28 yards

3. What is the measure of this angle?



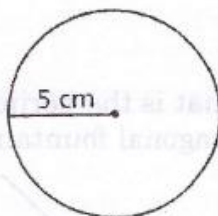
- A. 75°
- B. 105°
- C. 85°
- D. 115°

4. In the diagram, which is **not** a radius?



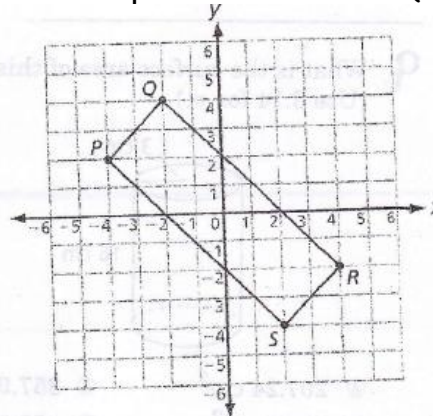
- A. \overline{AB}
- B. \overline{BE}
- C. \overline{DB}
- D. \overline{EC}

5. What is the circumference of this circle?
(Use 3.14 for π)



- A. 15.7 cm
- B. 31.4 cm
- C. 78.5 cm
- D. 314 cm

6. Which point is located at $(-4, 2)$?

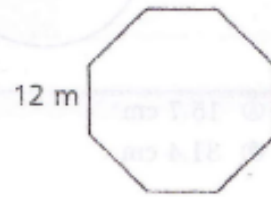


- A. Point P
- B. Point Q
- C. Point R
- D. Point S

7. Which describes the circumference of a circle?

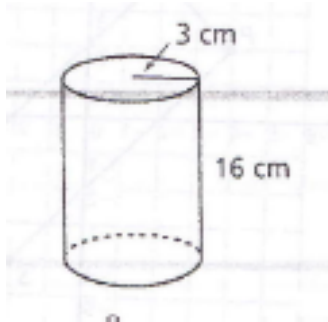
- A. The distance around the circle
- B. A line connecting two points on the circle
- C. A line from the center of the circle to a point on the circle
- D. A line connecting two points on the circle that goes through the center of the circle

8. What is the perimeter of this regular octagonal figure?



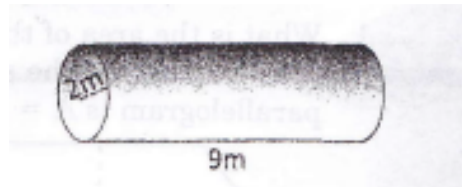
- A. 20 m
- B. 96 m
- C. 144 m
- D. 192 m

9. What is the surface area of this candle? (Use 3.14 for π)



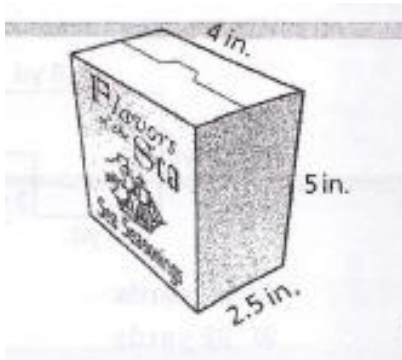
- A. 207.24 cm²
- B. 329.7 cm²
- C. 357.96 cm²
- D. 452.16 cm²

10. The cylinder below has a radius of 2 meters and a height of 9 meters. What is the volume of the cylinder? (Use 3.14 for π)



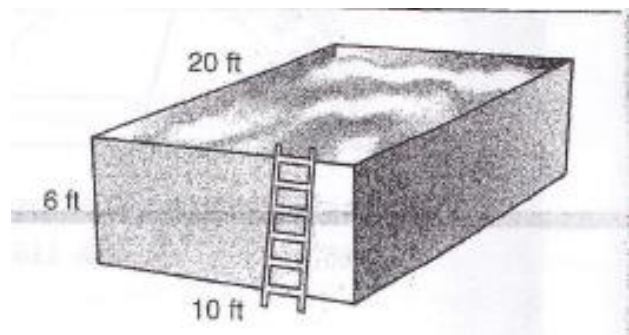
- A. 11.13 m³
- B. 113.04 m³
- C. 130.4 m³
- D. 1,130.4 m³

11. Sea Seasonings is making a box to hold its new Flavors of the Sea seasonings. The box shown below. Find the area of the cardboard needed to make one box?



- A. 23 in.²
- B. 50 in.²
- C. 85 in.²
- D. 500 in.²

Use this diagram of a pool to answer questions 12 and 13.



12. Which shows the volume of the pool?

- A. 60 ft^3
- B. 200 ft^3
- C. $1,000 \text{ ft}^3$
- D. $1,200 \text{ ft}^3$

13. The inside of the pool needs a new coat of paint. Kenna will paint the bottom and all four sides. Which shows the total surface area Kenna will paint?

- A. 440 ft^2
- B. 600 ft^2
- C. 560 ft^2
- D. 550 ft^2

15. A teacher made a pair of foam dice to use in math game. Each cube measured 13 in. on a side. How many square inches of fabric were needed to cover the two cubes?

- A. $1,014 \text{ in.}^2$
- B. $1,387.4 \text{ in.}^2$
- C. $2,028 \text{ in.}^2$
- D. $2,506 \text{ in.}^2$

16. The surface area of a rectangular prism is 48 square feet. The area of its front is 4 square feet, and the area of one side is 10 square feet. What is the area of the top of the prism?

- A. 13 ft
- B. 20 ft
- C. 12 ft
- D. 10 ft